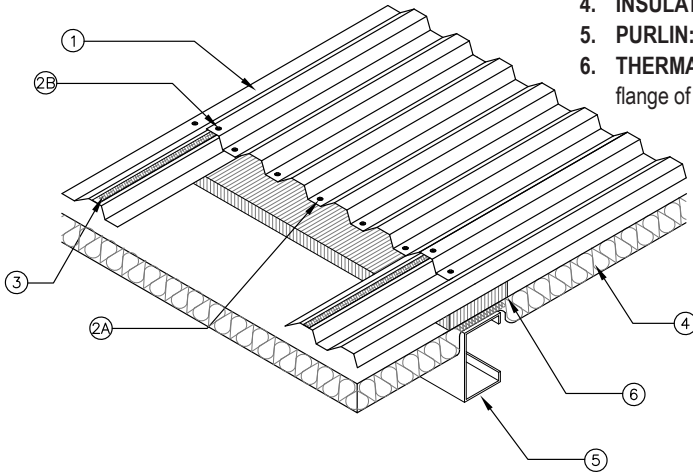


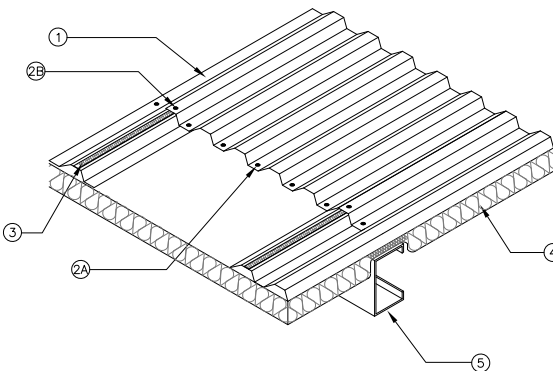
# UL 580 CLASS 90 RATED PRODUCT ASSEMBLIES

## **CONSTRUCTION NO. 244 (WITH THERMAL BLOCKS) BERRIDGE DEEP DECK PANEL THROUGH 4" BLANKET INSULATION INTO OPEN PURLINS**



- BERRIDGE DEEP DECK PANEL:** No. 24 MSF (Min. yield strength 40,000 PSI) coated steel, 36" wide, 1 1/2" high rib panel continuous over two or more spans. End laps to occur over purlins with panels overlapped a min. of 4" with lap centered over purlin web. A bead of sealant may be used at panel end and side laps.
- FASTENERS (SCREWS):**
  - For Connection of Item #1 to Item #5:** #12-14 self-drilling, self-tapping, hexhead steel screw with 5/8" OD formed steel washer and neoprene washer. Fasteners to be at panel and purlin intersection and adjacent to every major rib.
  - For Connection of Item #1 to Item #1 (Panel Lap):** #12-14 self-drilling, self-tapping, hexhead steel screw with 1/2" OD formed steel washer and neoprene washer. Fasteners to be 20" on center.
- TAPE SEALANT:** Used along panel side laps and endlaps for watertightness
- INSULATION:** (Optional) 4" Vinyl Faced compressible insulation
- PURLIN:** No. 16 MSG (Min. yield strength 50,000 PSI), maximum 5'0 spacing
- THERMAL BLOCK:** (Optional) 2 x 4" Polystyrene foam blocks placed along top flange of purlin between roof panels and insulation.

## **CONSTRUCTION NO. 244 (WITHOUT THERMAL BLOCKS) BERRIDGE DEEP DECK PANEL THROUGH 4" BLANKET INSULATION INTO OPEN PURLINS**



- BERRIDGE DEEP DECK PANEL:** No. 24 MSF (Min. yield strength 40,000 PSI) coated steel, 36" wide, 1 1/2" high rib panel continuous over two or more spans. End laps to occur over purlins with panels overlapped a min. of 4" with lap centered over purlin web. A bead of sealant may be used at panel end and side laps.
- FASTENERS (SCREWS):**
  - For Connection of Item #1 to Item #5:** #14 x 3/4" self-drilling, self-tapping, hexhead steel screw with 5/8" OD formed steel washer and neoprene washer. Fasteners to be at panel and purlin intersection and adjacent to every major rib.
  - For Connection of Item #1 to Item #1 (Panel Lap):** #12-14 self-drilling, self-tapping, hexhead steel screw with 1/2" OD formed steel washer and neoprene washer. Fasteners to be 20" on center.
- TAPE SEALANT:** Used along panel side laps and endlaps for watertightness
- INSULATION:** (Optional) 4" Vinyl Faced compressible insulation
- PURLIN:** No. 16 MSG (Min. yield strength 50,000 PSI), maximum 5'0 spacing

### **BERRIDGE MANUFACTURING COMPANY**

2610 Harry Wurzbach Road, San Antonio, TX 78209 | 800-669-0009 | Fax 210-650-0379

Visit [www.berridge.com](http://www.berridge.com) for the most up-to date information. All information herein subject to change without notice. For technical assistance please contact Berridge.