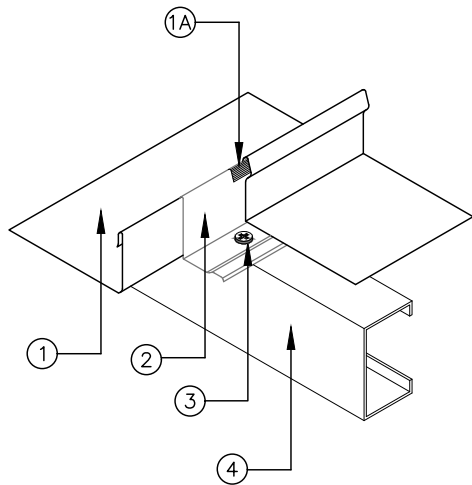


# UL 580 CLASS 90 RATED PRODUCT ASSEMBLIES

**CONSTRUCTION NO. 334 - Galvalume®  
BERRIDGE CEE-LOCK PANEL WITH  
CONTINUOUS CEE-RIB OVER OPEN PURLINS  
(NO INSULATION)  
(CONSULT BMC FOR APPROVED APPLICATIONS)**



- BERRIDGE CEE-LOCK PANEL:** No. 24 MSG (Min. yield strength 40,000 PSI) thickness coated steel, 16 1/2" wide, 1 1/2" high panel continuous over two or more spans without endlaps.
  - A vinyl weatherseal (U.S. Patent 4641475) must be used at panel side joints
- BERRIDGE CONTINUOUS CEE-RIB:** One-piece 1 1/2" high assembly fabricated from No. 24 MSG (Min. yield strength 40,000 PSI) coated steel. Cee-Rib located at each panel side joint, continuous and equal to length of Berridge Cee-Lock Panels (Item 1).
- FASTENERS:** No. 10-16 x 5/8" self-drilling pancake-head steel screw. Two fasteners per clip at each purlin location.
- PURLINS:** No. 16 MSG (Min. yields strength 50,000 PSI), 4'0 on center maximum spacing.

## BERRIDGE MANUFACTURING COMPANY

2610 Harry Wurzbach Road, San Antonio, TX 78209 | 800-669-0009 | Fax 210-650-0379

Visit [www.berridge.com](http://www.berridge.com) for the most up-to date information. All information herein subject to change without notice. For technical assistance please contact Berridge.