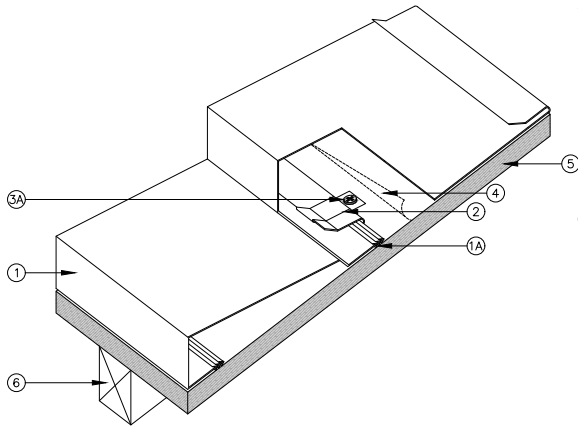


UL 580 CLASS 90 RATED PRODUCT ASSEMBLIES

CONSTRUCTION NO. 405 BERRIDGE BERMUDA ROOF PANEL OVER 5/8" PLYWOOD



- BERRIDGE BERMUDA PANEL:** No. 24 Ga. (Min. yield strength 40,000 PSI) coated steel, 11" wide x 1" high. Panel continuous without end laps.
 - Optional extruded vinyl weatherseal may be used at panel joints
- BERMUDA PANEL CLIPS:** One piece, fabricated from 24 Ga. (Min. yield strength 40,000 PSI) coated steel. Bermuda panel clip located 24" on center at each panel lap
- FASTENERS:**
 - For Connection of Item #2 to Item #5:** #10 x 1" pancake head screw steel screw. One screw per clip.
 - For Connection of Item #5 to Item #6 (Not Shown):** #8 x 1 1/2" pan head wood screw spaced 12" on center at plywood joists connection and at plywood ends
- FELT PAPER:** Two ply, No. 30 lb per 100 sq. ft., laid horizontally eave to ridge.
- SUBSTRUCTURE (PLYWOOD):** Nominal 5/8" thick, sheathing span C-D 40/20 Plywood
- JOISTS:** Nominal 2 x 4" at maximum 2'0" on center

BERRIDGE MANUFACTURING COMPANY

2610 Harry Wurzbach Road, San Antonio, TX 78209 | 800-669-0009 | Fax 210-650-0379

Visit www.berridge.com for the most up-to date information. All information herein subject to change without notice. For technical assistance please contact Berridge.