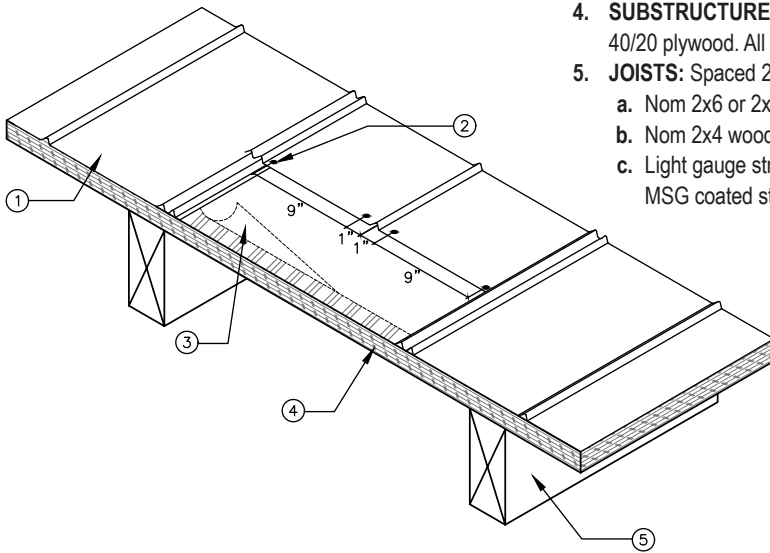


UL 580 CLASS 90 RATED PRODUCT ASSEMBLIES

CONSTRUCTION NO. 453 BERRIDGE DOUBLE RIB PANEL OVER 5/8" PLYWOOD

1. **BERRIDGE DOUBLE RIB PANEL:** No. 24 MSG (Min. yield strength 40,000 PSI) coated steel, 24" wide, 1/2" high rib panel continuous over two or more spans. A bead of sealant may be used at panel sidelaps.
2. **FASTENERS (SCREWS):**
 - a. **For Connection of Item #1 to Item #4:** #14-10x 1 1/2" Type A, hex head with separate 5/8" OD steel washer and a bonded neoprene washer. Fastener spacing to be 36" along the length of the panel and have a 2-9-2-9 pattern across the width of the panel.
 - b. **For Connection of Item #4 to Item #5 (Not Shown):** #6 x 1 7/8" bugle head screw for wood joists or #12 x 1 5/8" Phillips head screw for steel joists. Fasteners spaced 6" on center at plywood edges and 12" on center at intermediate supports when connecting to wood joists.
3. **FELT PAPER:** Two ply, No. 30 lb per 100 sq. ft.
4. **SUBSTRUCTURE (PLYWOOD):** Nominal 5/8" thick, exposure sheathing span C-D, 40/20 plywood. All butt joints to be sealed against leakage by using tape and/or caulk.
5. **JOISTS:** Spaced 2' O.C. May be one of the following
 - a. Nom 2x6 or 2x10 wood joists No. 2 or better
 - b. Nom 2x4 wood when used on top chord of wood truss, No. 2 or better
 - c. Light gauge structural steel with be member against the plywood to be min. 22 MSG coated steel



BERRIDGE MANUFACTURING COMPANY

2610 Harry Wurzbach Road, San Antonio, TX 78209 | 800-669-0009 | Fax 210-650-0379

Visit www.berridge.com for the most up-to-date information. All information herein subject to change without notice. For technical assistance please contact Berridge.