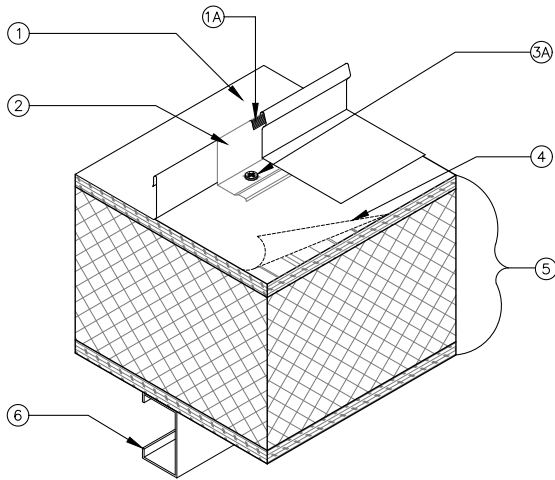


UL 580 CLASS 90 RATED PRODUCT ASSEMBLIES

CONSTRUCTION NO. 474 - Galvalume® BERRIDGE CEE-LOCK PANEL WITH CONTINUOUS CEE-RIB OVER STRUCTURAL CEMENT FIBER SHEATHING



- BERRIDGE CEE-LOCK PANEL:** No. 24 MSG (Min. yield strength 40,000 PSI) thickness coated steel, 16 ½" wide, 1 ½" high panel continuous over two or more spans without endlaps.
 - An optional vinyl weatherseal (U.S. Patent 4641475) may be used at panel side joints
- BERRIDGE CONTINUOUS CEE-RIB:** One-piece 1 ½" high assembly fabricated from No. 24 MSG (Min. yield strength 40,000 PSI) coated steel. Cee-Rib located at each panel side joint, continuous and equal to length of Berridge Cee-Lock Panels (Item 1).
- FASTENERS:**
 - For Connection of Item #2 to Item #5:** No. 10 x 1" long pancake head steel screw at 12" on center.
 - For Connection of Item #5 to Item #6 (Not Shown):** 6" long minimum 14 MSG screw with a ⅝" diameter head. Fasteners are spaced 12" on center.
- FELT PAPER:** Two ply, No. 30 lb. per 100 sq. ft.
- SUBSTRUCTURE (STRUCTURAL CEMENT-FIBER UNITS):** 5" thick Composite structural cement-fiber units with foamed plastic core and 7/16" OSB structural panel on one face. All transverse butt joints are to occur over a structural support.
- JOISTS:** Cee channels spaced max. 7' O.C.

BERRIDGE MANUFACTURING COMPANY

2610 Harry Wurzbach Road, San Antonio, TX 78209 | 800-669-0009 | Fax 210-650-0379

Visit www.berridge.com for the most up-to date information. All information herein subject to change without notice. For technical assistance please contact Berridge.