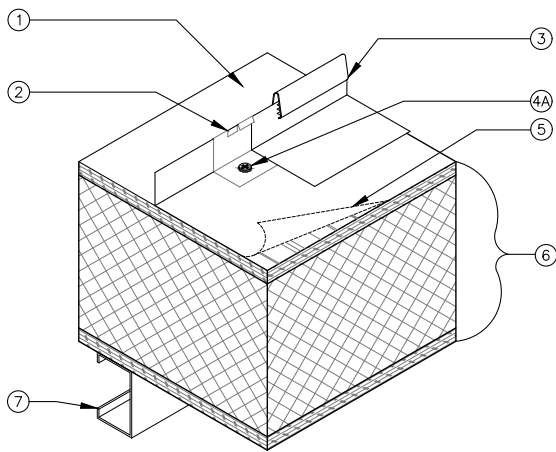


UL 580 CLASS 90 RATED PRODUCT ASSEMBLIES

CONSTRUCTION NO. 475 - Galvalume® BERRIDGE HIGH SEAM TEE-PANEL OVER SOLID STRUCTURAL CEMENT FIBER SHEATHING



- BERRIDGE HIGH SEAM TEE-PANEL:** No. 24 MSG (Min. yield strength 40,000 PSI) thickness coated steel, 18 1/4" wide and rib height 1 3/8". Total seam height with snap-on seam cover in place is nominal 1 1/2". Panels to be continuous length. End laps to be overlapped min. 6". A line of sealant may be used at panel end & side laps.
- BERRIDGE TEE-PANEL CLIP:** One piece clip, 1 3/8" high x 1 1/2" (nominal) wide x 1 5/8" long, No. 24 MSG (Min. yield strength 40,000 PSI). Clips spaced max 12" O.C., located at panel sides.
- BERRIDGE SNAP-ON SEAM COVERS:** Seams covering panel ribs to be 3/8" wide by 7/8" high with vinyl insert (U.S. Patent No. 4,641,475) formed from No. 24 MSG (Min. yield strength 40,000 PSI) coated steel.
- FASTENERS:**
 - For Connection of Item #2 to Item #6:** #10 x 1" long pancake head steel screw. Two screws per clip.
 - For Connection of Item #6 to Item #7 (Not Shown):** 6" long minimum 14 MSG screw with a 5/8" diameter head. Fasteners are spaced 12" on center.
- FELT PAPER:** Two ply, No. 30 lb. per 100 sq. ft.
- SUBSTRUCTURE (STRUCTURAL CEMENT-FIBER UNITS):** 5" thick Composite structural cement-fiber units with foamed plastic core and 7/16" OSB structural panel on one face. All transverse butt joints are to occur over a structural support.
- JOISTS:** Cee channels spaced max. 7' O.C.

BERRIDGE MANUFACTURING COMPANY

2610 Harry Wurzbach Road, San Antonio, TX 78209 | 800-669-0009 | Fax 210-650-0379

Visit www.berridge.com for the most up-to date information. All information herein subject to change without notice. For technical assistance please contact Berridge.